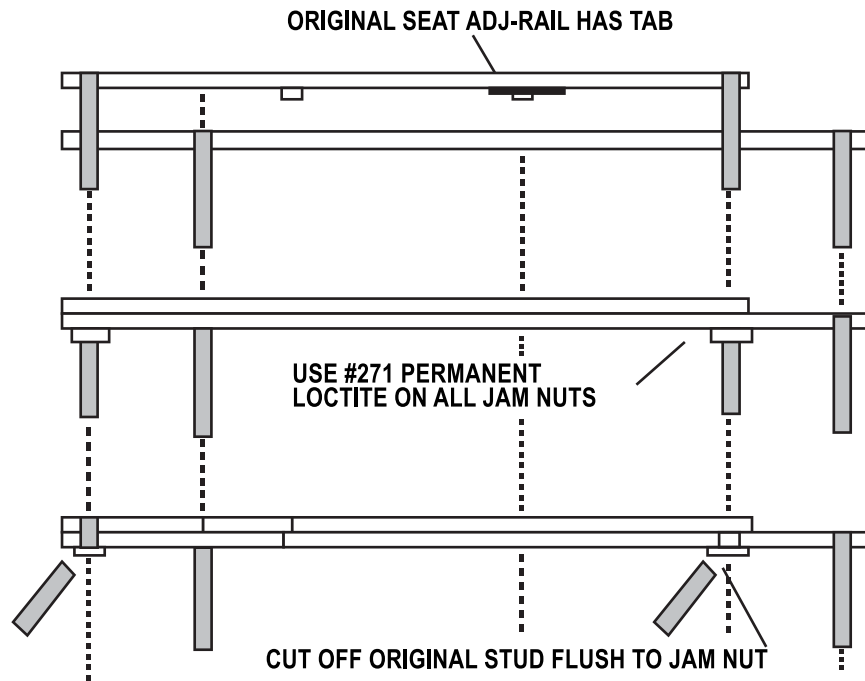
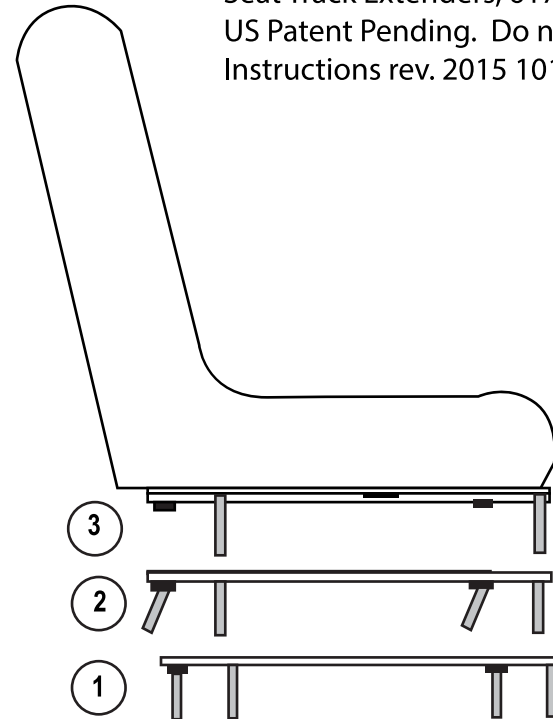


DISCLAIMER: This product is for use with show cars only. Not intended for street racing or off road use. User agrees, by installation of this product, to the terms & conditions listed above and releases seller of all personal and property liability claims. This product does not increase the structural mechanics of the seat or OEM mounting.



Seat Track Extenders, 61705-1E
US Patent Pending. Do not replicate
Instructions rev. 2015 1016



DIRECTIONS

1. Remove original seat from car. Save 5/16-18 nuts.
 - a. Flip seat over and install extender rails.
2. Secure with jam nuts (provided) and use loctite red for permanent use.
 - a. Allow time for loctite to cure (follow directions on product)
 - b. Cut end of original seat studs off, flush with jam nut.
3. Re-install seat using new studs in original floor plan holes.
 - a. Secure to floor plan with original 5/16-18 nuts