

Classic Update Series

Optional Wires to be Plugged into the Rear Body Connector: Obtain the Rear Body Connector (see page 3). If the wires are not needed, you will NOT need to plug them in. Connect the Rear Body Harness to the Main Dash Harness **510663** in the LH Cow Side.

Various Pigtail Assemblies (shown on page 2) from the Parts Kit **92971700**.
Route and Connect the Wires (see page 3)
 After connecting the 9-way Rear Body Harness connector to the Dash Harness route the Rear Body Harness using the same routing and retention as the original Body Harness.

Third Brake Light (Optional) Obtain the loose light blue "THIRD BRAKE LIGHT" wire (circuit 17) and route this wire to the optional Third Brake Light. Connect to the Third Brake Light.
Light Blue Wire Color
17 Wire Number

Dome Light Obtain the light blue "12V CTSY SW" wire (circuit 53) and route this wire to the original Dome Light Pigtail wire (blue/black). Cut to length, slide on large sleeve "S", and crimp on female bullet terminal "R". If the male connector on the Dome Light Pigtail needs to be replaced, small sleeve "U" and terminal "T" have been provided. Now make the connection.
Light Blue Wire Color
53 Wire Number

Trunk Light (Optional) Obtain the loose orange "12V BATTERY - FUSED" wire (circuit 40) and route this wire to the Trunk Light Pigtail wire (light green/yellow). Cut to length, slide on large sleeve "S", and crimp on female bullet terminal "R". If the male connector on the Trunk Light Pigtail needs to be replaced, small sleeve "U" and terminal "T" have been provided. Now make the connection.
Orange Wire Color
40 Wire Number

Fuel Gauge Sender Plug the Fuel Sender, Jumper Harness "E", to the Fuel Sender. Install Grommet "O" into the original Fuel Sender Wire Harness Grommet hole. Obtain the tan "GAS GAUGE" wire (circuit 30) and route it through Grommet "O" and over to Jumper Harness "E". Cut to length and crimp on terminal "N" and plug into connector "M".
Obtain the black Ground Wire "F", and attach the Ring Terminal end of the wire to a good ground. Route the other end of the black wire through Grommet "Q" and over to connector "M". Cut to length and crimp on terminal "N" and plug into connector "M".
 Now make the connection.
Tan Wire Color
30 Wire Number

Left Hand Tail Light Assembly Obtain the yellow "LEFT REAR TURN" wire (circuit 18) and route it to the first LH Tail Light Pigtail "A", cut to length, double it with the cutoff portion of the yellow wire, crimp on terminal "K" and plug into connector "G".
Yellow Wire Color
18 Wire Number

Right Hand Tail Light Assembly Obtain the dark green "RIGHT REAR TURN" wire (circuit 19) and route it to the first RH Tail Light Pigtail "B", cut to length, double it with the cutoff portion of the dark green wire, crimp on terminal "K" and plug into connector "G".
Dark Green Wire Color
19 Wire Number

Back-up Lights Obtain the light green "BACK UP LT SW" wire (circuit 24) and route it to the LH Back-up Light Pigtail "C", cut to length, double it with the cutoff portion of the light green wire, crimp on terminal "K" and plug into connector "H".
Light Green Wire Color
24 Wire Number

Rear Running Lights This brown wire is fed to the Side Marker Lights, the Tail Lights, and the License Light. Obtain the brown "REAR RUNNING LIGHTS" wire (circuit 9) and route this wire to the LH Side Marker Pigtail "D". Cut to length, double this wire with the cut off portion, install terminal "P" and plug into connector "M".
Brown Wire Color
9 Wire Number

Tail Light Ground Wires These ground wires "F" are used to ground the Side Markers, the Tail Light Sockets and the Back-up Light Sockets. Find a good ground location for the ring terminals near the Trunk Latch.
LH Ground Obtain the Ground Wire "F" and attach the ring terminal to ground near the Trunk Latch. Route this black "GROUND" wire to the LH Tail Light Pigtail "A", nearest to the ground. Cut to length and double with the cutoff portion, crimp on terminal "K" and plug into connector "G".
RH Ground Obtain the Ground Wire "F" and attach the ring terminal to ground near the Trunk Latch. Route this black "GROUND" wire to the RH Tail Light Pigtail "B", nearest to the ground. Cut to length and double with the cutoff portion, crimp on terminal "K" and plug into connector "G".
License Light Ground Obtain the Ground Wire "F" and attach the ring terminal to ground near the Trunk Latch. Route this black "GROUND" wire to the License Light Pigtail needs to be replaced, small sleeve "U" and terminal "T", have been provided. Repeat this process for the second Pigtail "B".

License Light Ground Obtain the Ground Wire "F" and attach the ring terminal to ground near the Trunk Latch. Route this black "GROUND" wire to the License Light Pigtail needs to be replaced, small sleeve "U" and terminal "T", have been provided. Repeat this process for the second Pigtail "B".

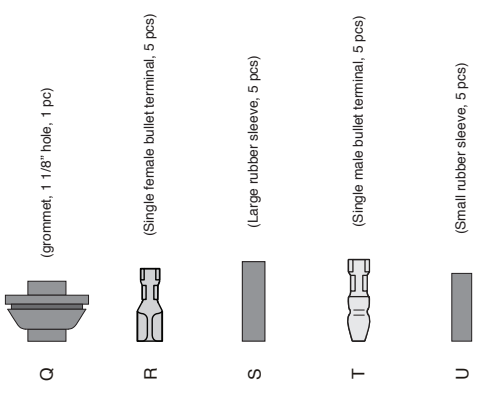
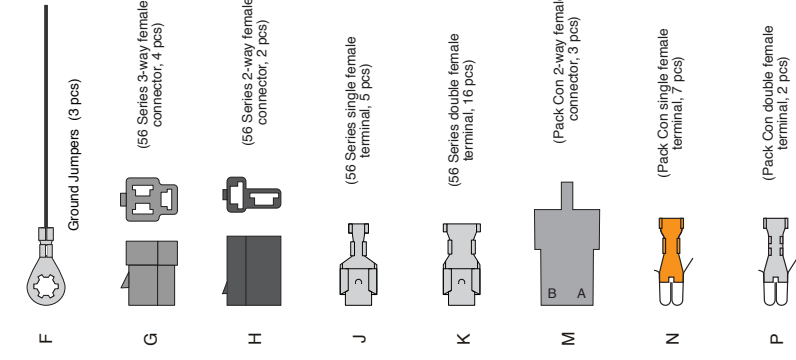
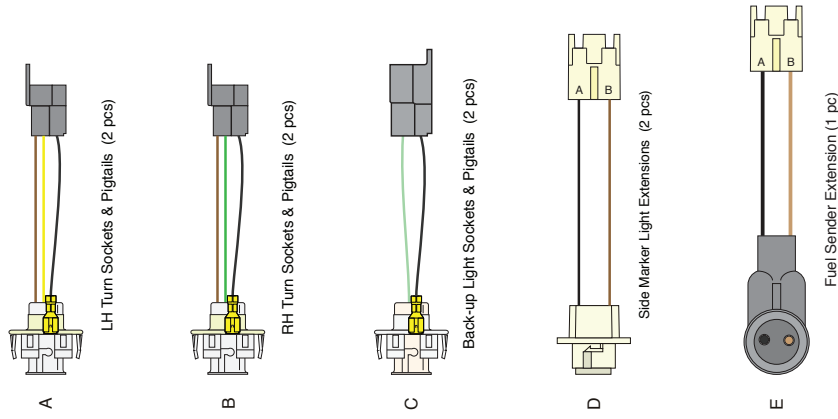
License Light Ground Obtain the Ground Wire "F" and attach the ring terminal to ground near the Trunk Latch. Route this black "GROUND" wire to the License Light Pigtail needs to be replaced, small sleeve "U" and terminal "T", have been provided. Repeat this process for the second Pigtail "B".



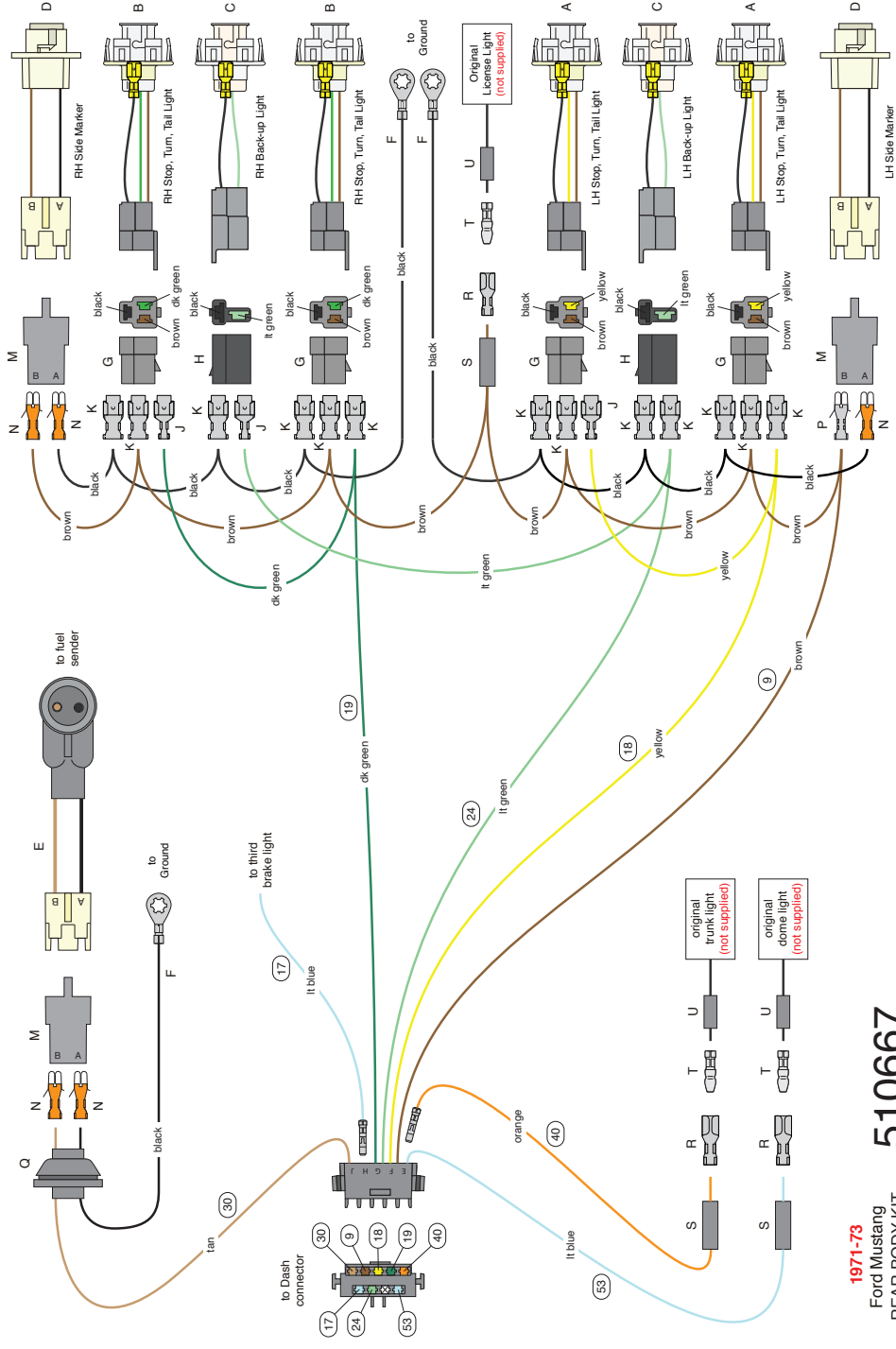
www.americanautowire.com 659-923-0801



Classic Update Series



Classic Update Series



1974-73
Ford Mustang
REAR BODY KIT

510667

92971699 Rev 0.0 5/19/2017

THIS PAGE INTENTIONALLY
LEFT BLANK