



150 Heller Place Bellmawr, NJ 08031 856-933-0801

### INSTALLATION INSTRUCTIONS

This wiring kit is designed for ease of installation. Please read the guidelines below, BEFORE STARTING YOUR INSTALLATION, to guarantee a successful job!

**STEP 1: DISCONNECT YOUR BATTERY**

Disconnect the battery before installing the wiring kit to prevent any accidental shorting caused by loose bare wire ends.

**STEP 2: MOUNT YOUR PANEL**

It is recommended that you mount your panel under the dash, in the kick panel, or under the front seat. The fuse panel can be found in bag 510488.

**STEP 3: START INSTALLING KIT**

This kit is broken down into individual steps that are identified by a letter printed on the instruction sheets visible through each bag. These letters are the order of operation for installing your kit. Start with the bag letter "A", then "B", etc. The order of installation is shown below.

- A 510494 Ignition Switch and Starter Wiring Kit
- B 510493 Alternator Connection Kit
- C 510490 Headlight Switch Kit
- D 510489 Steering Column / Turn Signal Connection Kit
- E 510491 Gauge Connection Kit (Sending Unit Side)
- F 510492 Accessory Connection Kit

**STEP 4: RECONNECT YOUR BATTERY**

When you have completed the installation and are ready to reconnect the battery, make sure that the following electrical system grounds are in place:

- A. Battery is grounded to the engine block.
- B. Battery is grounded to the frame.
- C. Engine block is grounded to the frame.
- D. Body is grounded to the frame.

**STEP 5: CHECK ALL ELECTRICAL FUNCTIONS**

Any non-functioning items should be checked for proper installation. Any problems with your wiring and electrical circuit functions should be addressed with American Autowire Systems, Inc. as soon as possible to avoid any warranty problems.

If you have any questions concerning this or any of our products, please feel free to call us at 1-800-482-WIRE.

"AMERICAN AUTOWIRE MAKES WIRING THAT EASY!"



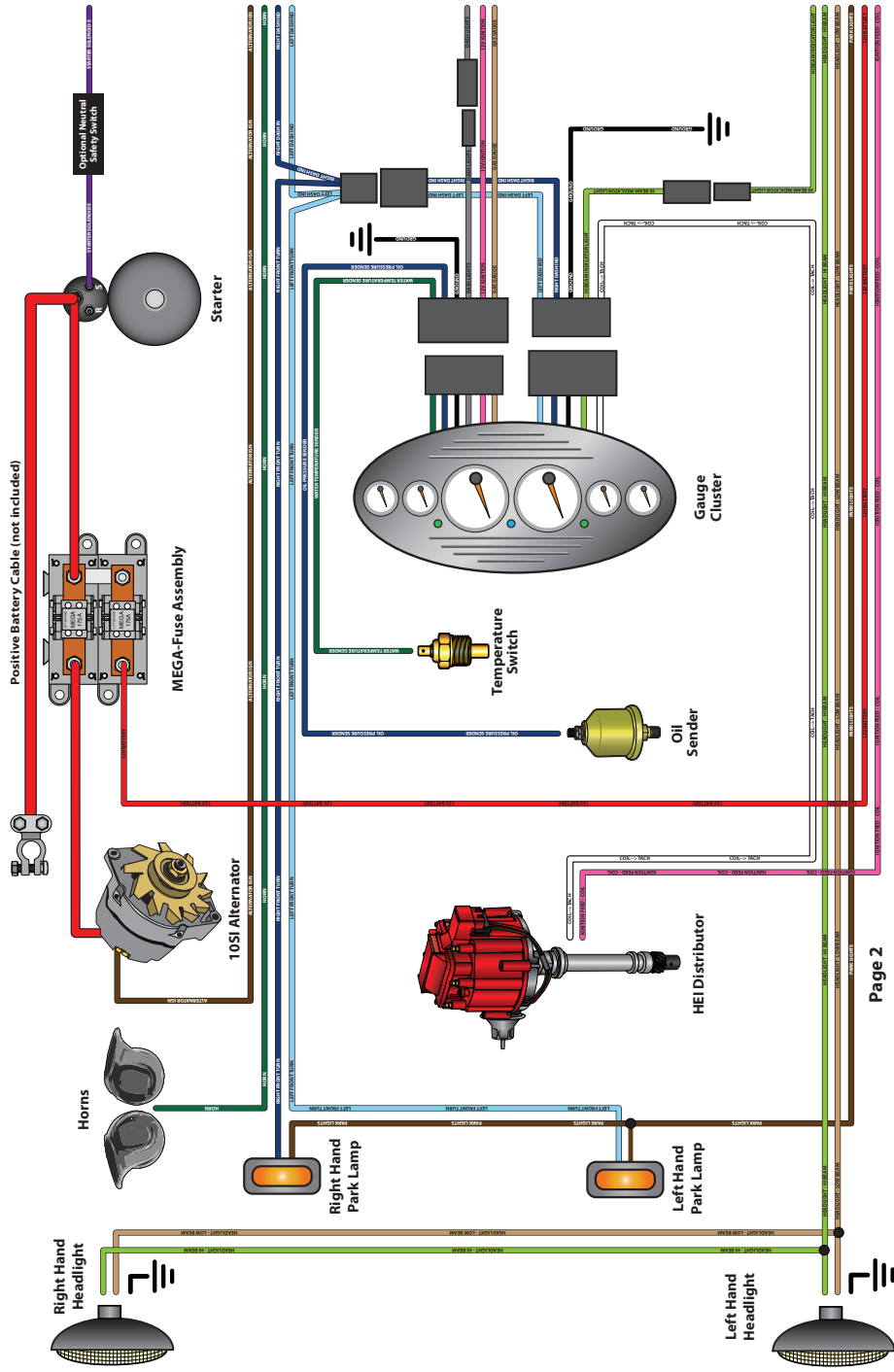
**OPTIONAL ACCESSORY KITS**

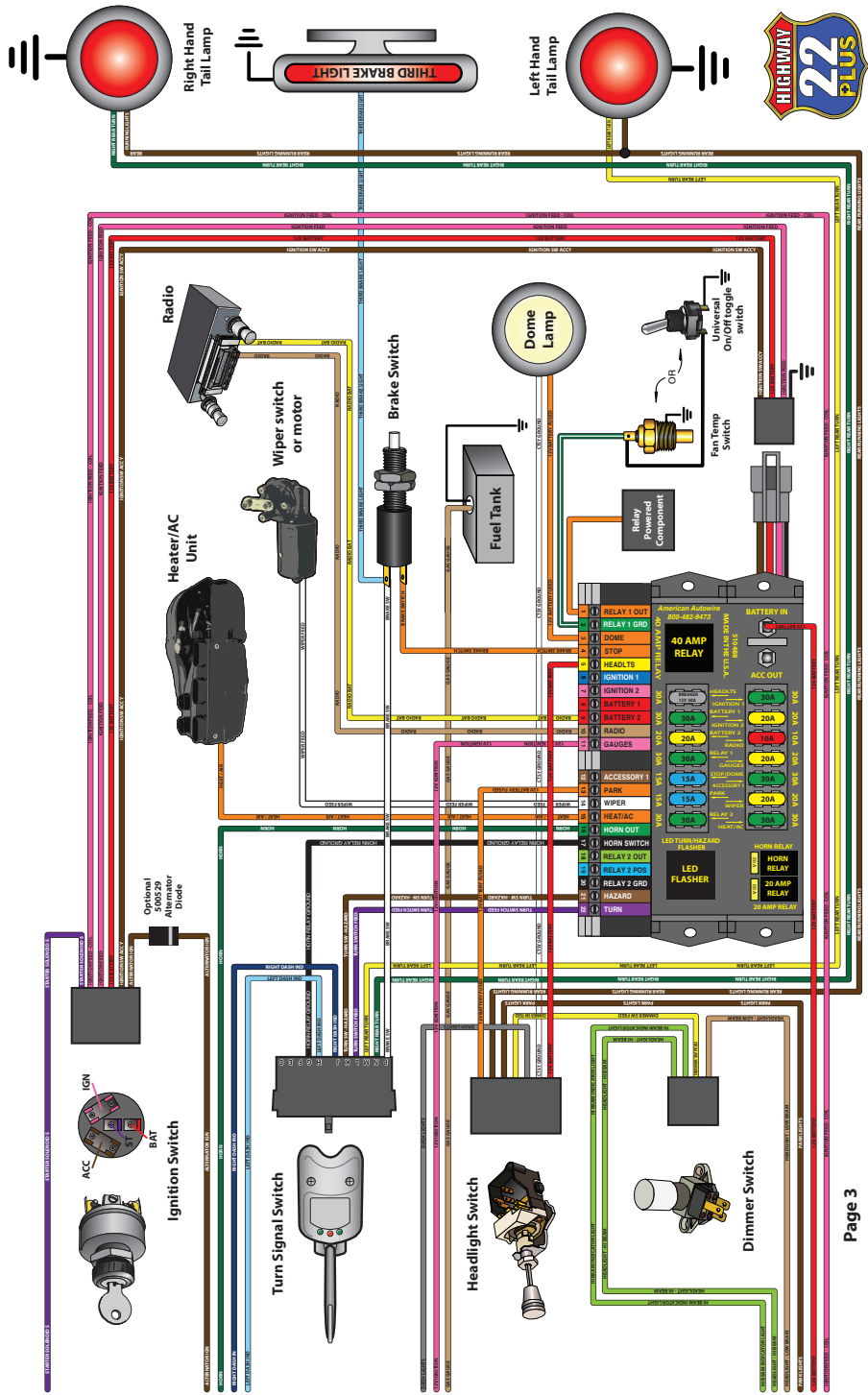
- |                                  |   |
|----------------------------------|---|
| Battery cables                   | See page 4  |
| Brake Switch                     | p/n 500097  |
| Brake Switch                     | p/n 500145  |
| Brake Switch                     | p/n 500098  |
| Brake Switch                     | p/n 500240  |
| Courtesy Light Kit               | p/n 500081  |
| Universal 40 amp Relay Kit       | p/n 500479  |
| Fan Temperature switch           | p/n 500491  |
| Fan Temperature switch           | p/n 500492  |
| Grounding / Splice kit           | p/n 500544  |
| Heater Switch                    | p/n 500144  |
| L.E.D. indicator lights          | Amber, blue, green, and red in both 5/32" and 1/4" sizes.   |
| Master Disconnect switch         | Master battery disconnect                                   |
| Universal Relay Kit - Waterproof | p/n 500093  |
| Wiper Switch                     | p/n 500146  |
| Ground Strap                     | 12" with 3/8" mounting holes                                |
| 11 Volt Warning Module           | 18" with 3/8" mounting holes                                |
|                                  | For use with one wire alternators using an indicator light. |

- |  |   |
|--|---|
|  | 2 blade contact to operate brake lights                         |
|  | Button type, 4 blade contact to operate brake lights and cruise |
|  | Lever type, water resistant                                     |
|  | Adjustable lever design, water resistant                        |
|  | Under dash lighting harness complete with lamp sockets          |
|  | Complete kit wired with relay and fuse.                         |
|  | On at 210 deg. off at 195 deg. Used with 500067 Fan relay kit.  |
|  | On at 195 deg. off at 180 deg. Used with 500067 Fan relay kit.  |
|  | On at 180 deg. off at 160 deg. Used with 500067 Fan relay kit.  |
|  | Complete vehicle grounding system customizable to any vehicle.  |
|  | Complete 12 to 1 splice kit for grounding or power connection.  |
|  | 3 position heater switch  |



**THIS KIT DOES NOT SUPPORT STOCK (ORIGINAL) GENERATORS. THE DESIGN OF THE KITS IS DESIGNED TO SUPPLY MORE POWER THAN THE GENERATOR IS ABLE TO SUPPLY.**





# Additional Accessories



**510643  
Terminal Kit**

We've included the most common terminals and connectors that will help you with troubleshooting, repairing, or replacing connections. All contents are compartmentalized in a durable case with a heavy duty latching closure. The inside of the lid has a diagram detailing the contents by image and description.



**510451  
Weather Pack Kit**

This 429-piece weather pack kit provides you with plenty of connection options that will help you with troubleshooting, repairing, or replacing connections. All contents are compartmentalized in a durable case with a heavy duty latching closure. The inside of the lid has a diagram detailing the contents by image and description.



**500097  
Brake Switch**

Pedal mounted brake switch. Universal fit. Comes complete with connectors and terminals. Many different styles available in our catalog.



**500081  
Courtesy Kit**

For connecting two under dash lamps to headlight switch & door switches. Has sockets w/ mounting brackets & terminals for bullet blade, or screw type door switches.



**500834  
Remote Master Disconnect Switch**

Control your battery disconnect with a small remote mounted switch. Can be used with remote control modules. SPST latching solenoid with two 5/16" studs. Rated at 110 amps continuous.



**510587  
Wire Crimpers**

The single crimper is used for wire sizes ranging from 14 to 20 gauge, and the double crimper is used for sizes from 10 to 18 gauge, or terminals receiving a two wire connection.



**510287  
Volt Module**

The 11 volt module can be used to trigger an in-dash warning light when charging system voltage drops below 11 volts. This makes it the perfect solution to control a dash indicator light when installing a one-wire alternator, or simply as piece of mind in addition to a voltmeter.



**500717  
All Copper Grounding Kit**

Copper Grounding Kit eliminates the frame rail as a conductor by using three grounding boxes connected by 6 gauge copper cables. The ground "loop" attaches to your existing negative battery cable to make for a solid, continuous connection. Includes 20 coils of pre-labeled wire, terminal lugs and a 6 gauge crimping tool.

**500350 - 12"  
500656 - 18"  
Ground Straps**



Medium duty ground straps are 100% tinned copper. Both sizes have a 3/8" hole on both ends.