

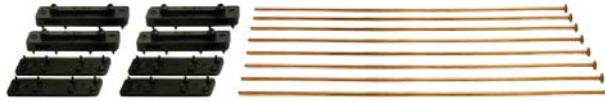


INSTALLATION INSTRUCTIONS METAL ROD MOUNTING KIT PART # 16741* & 16743

Please read these instructions completely before beginning installation

KIT CONTENTS

| QTY. | DESCRIPTION |
|------|-------------------------|
| 8 | Metal Rod |
| 4 | Rubber-Locking Fastener |
| 4 | Thin Shock Absorber Pad |

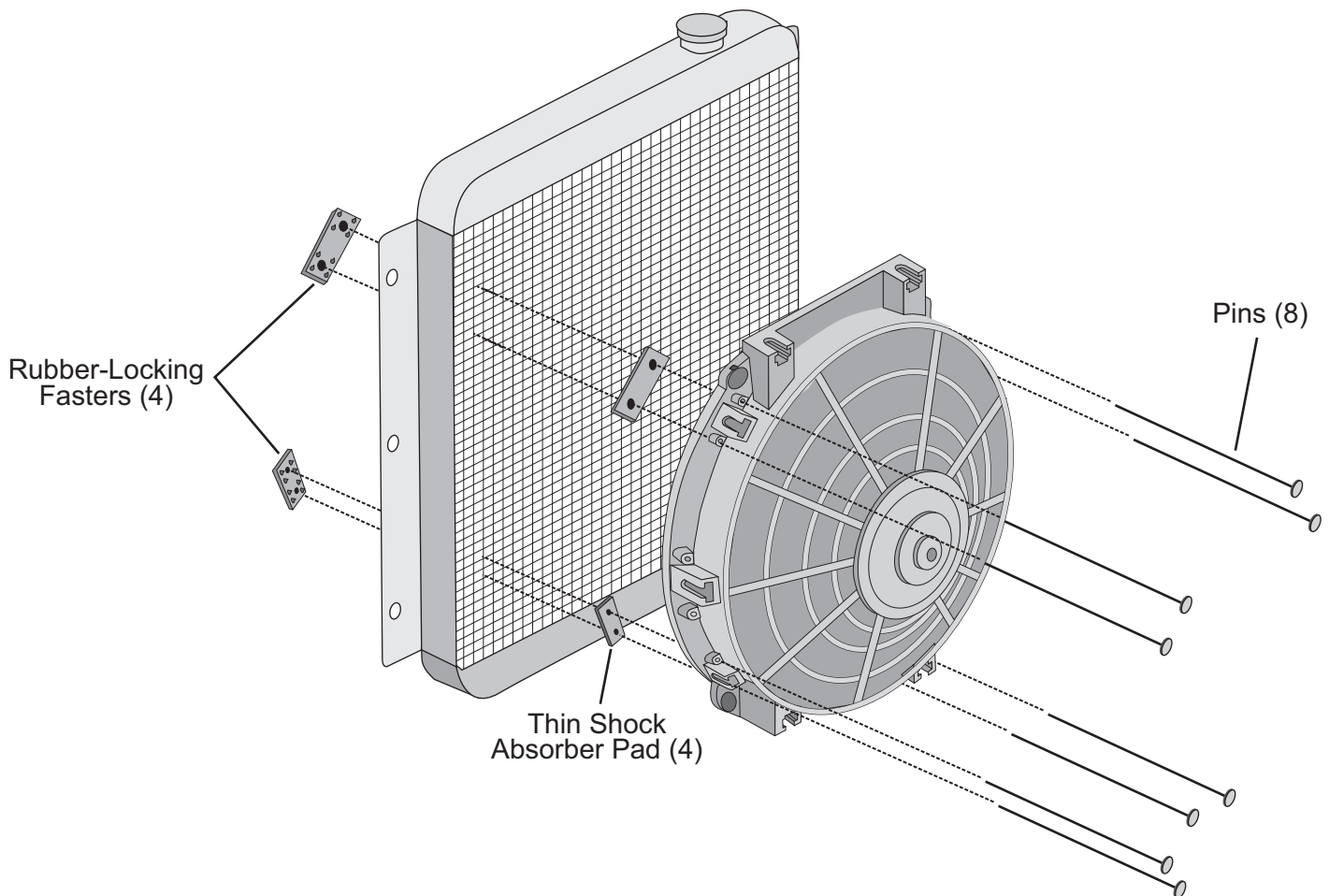


TOOLS NEEDED

Wire cutters

MOUNTING INSTRUCTIONS

1. Push the metal rods thru the holes on the edge of the fan shroud. Be sure to keep the metal rods in sets of two and push the pins 1 1/2" past the surface of the shroud. Place the thin shock absorber pads over the metal rods, with the flat side against the shroud.
2. Position the fan against the radiator or AC condenser in the desired location. Carefully push the metal rods thru the radiator core. Caution: Do not use excessive force when pushing rods thru, you could puncture radiator or condenser tubes. Metal rods cannot be inserted in both radiator and condenser.
3. Use rubber-locking fasteners to secure fan in place. The fasteners can only be used one direction, with the word "push" facing outward. Push the fasteners over two metal rods until snug against the radiator. Cut off any excess pin.



*Part number 16741 includes additional hardware. Use this hardware as needed.

Warning: Installation of accessories should only be undertaken by those with mechanical knowledge and are familiar with working on vehicles. Always use eye protection (goggles, safety glasses or shield). Park the vehicle in a well lit area, on level ground and apply the parking brake. Only work on a cold vehicle that has been sitting overnight, failure to do so will result in severe burns and injury. Before starting the vehicle, make sure no tools or any other items are left under hood that could interfere with or be drawn into moving parts of the engine. Failure to follow instructions can lead to severe damage and personal injury.