



SEALED BATTERY BOX

PART# 74051

This battery box is designed to relocate your battery from the front of the vehicle to the trunk area. This kit meets NHRA guidelines for battery retention. Check the rule book of your sanctioning body for proper mounting location.

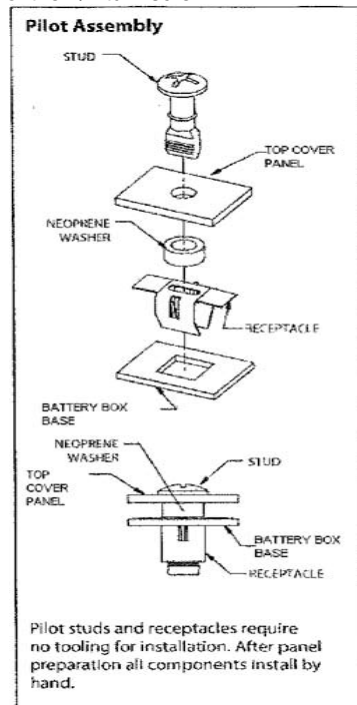
NOTE: A battery Disconnect switch is required for racing. Check the Moroso Performance catalog for switch part numbers: 74100, 74101, 74102, and battery cable kit part numbers 74005, 74055 to relocate the battery to the trunk.

Parts List

1-Battery Box	1-Zinc Plated Hold Down	2-3/8" Locking Nuts
1-Molded Lid	2-3/8" Hex Nuts	2-3/8 12 Point Nuts
2-Small Plastic Grommets	2-3/8" Dia. Hold Down Studs	4Ft. EPDM Lid Seal
2-Large Plastic Grommets	2-Flat Washers	6-Pilot Studs
6-Neoprene Washers	6-Receptacles	2-Vent Tubing

Installation Instructions:

1. Decide proper location for Battery Box (In most cases, better weight transfer is obtained if the battery is relocated to the passenger rear corner of the trunk).
2. Locate the battery box in position and use the Zinc Plated Hold Down as a template for drilling two 13/32" holes in the base of the Battery Box and the mounting area. **CAUTION: Be sure that there is no obstruction under the mounting are, such as a gas tank. Remove any obstruction out of the way before drilling through the sheet metal.**
NOTE: Make certain that the Hold Down is centered in the box before drilling holes.
3. Determine where the battery cables will exit the box. Drill two 5/8" holes in the side of the box in locations appropriate for battery cable installation. Snap the Small Plastic Grommets into these holes.
4. Drill holes for the Vent Tubing, one 3/4" hole in the side of the Battery Box and another 3/4" hole in the floor pan of the vehicle. The hole drilled in the floor pan should be in an area where fumes will not collect under the vehicle. Install the Large Plastic Grommets in these holes.
5. Thread the 3/8" Hex Nuts onto the 3/8" Hold Down Studs. Install these studs, with the nuts facing down, through the Box and the floor pan with enough thread to secure with the Washers and Locking Nuts from the underside of the floor pan. Tighten securely at this time.
6. Place the battery into the box and secure with the Hold Down with 2 3/8" 12 point nuts (use Loctite removable thread locking adhesive).
7. Measure and route the battery cables in the box. Insert into holes, install terminals to the ends and connect to the battery. Check to be sure that connections are tight.
8. Using weather-strip adhesive, attach the Lid Seal to the lid in the 1/4" molded channel. Trim any excess.
9. Insert the metal receptacle into the six rectangular holes around the lid of the battery box.
10. Follow the diagram for assembly of the 1/4 turn screw.



**For Technical Assistance, Call Moroso's Tech Line at
(203) 458-0542, 458-0546 8:30am - 5:00pm Eastern Time**

Rev. C
031813

MOROSO PERFORMANCE PRODUCTS, INC.
80 CARTER DR • GUILFORD, CT 06437
Phone: (203) 453-6571 • Fax: (203) 453-6906

74051INST

Visit Us At www.moroso.com